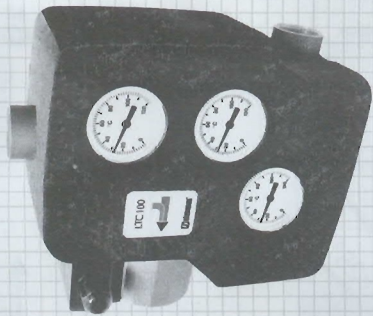
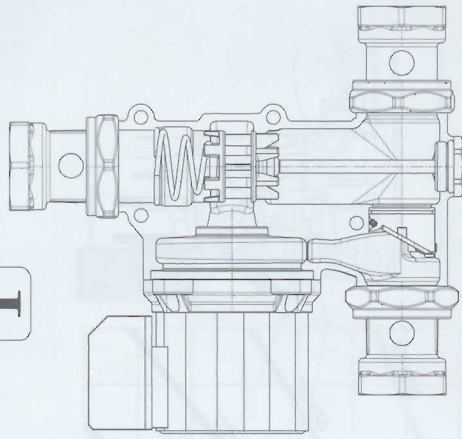
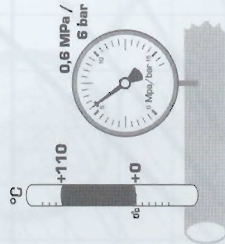
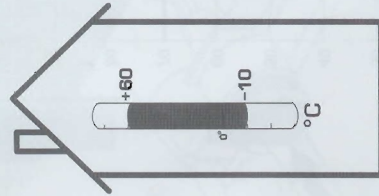




Series LTC141
 Series LTC143
 Series LTC171



LVD 73/23/EEC
 EMC 89/336/EEC
 PED



SERIES LTC100



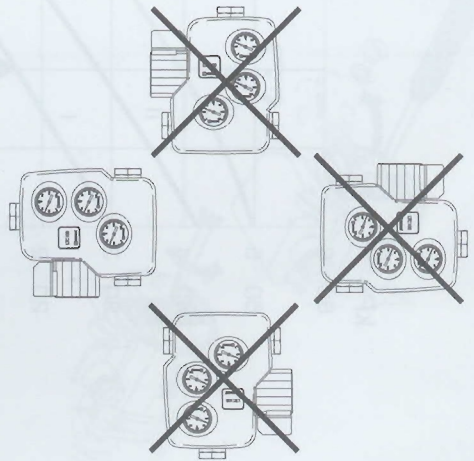
NO.1 IN HYDRONIC SYSTEM CONTROL



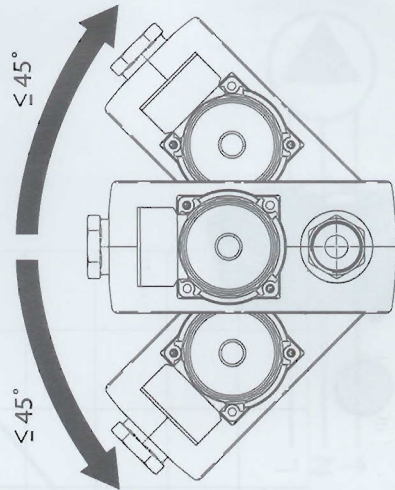
www.esbe.se

Mch.nr:9814.02.99 • Rit.nr.: 9145 utg. A • Rev.: 0711

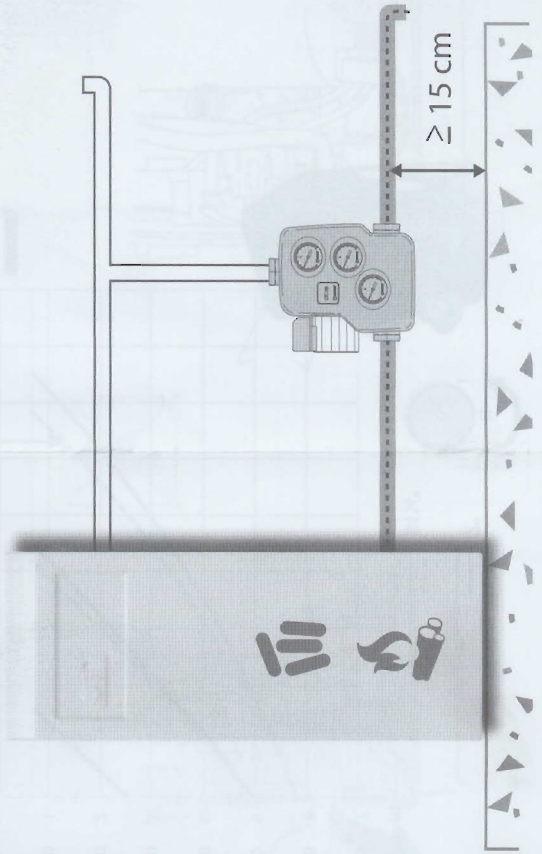
1



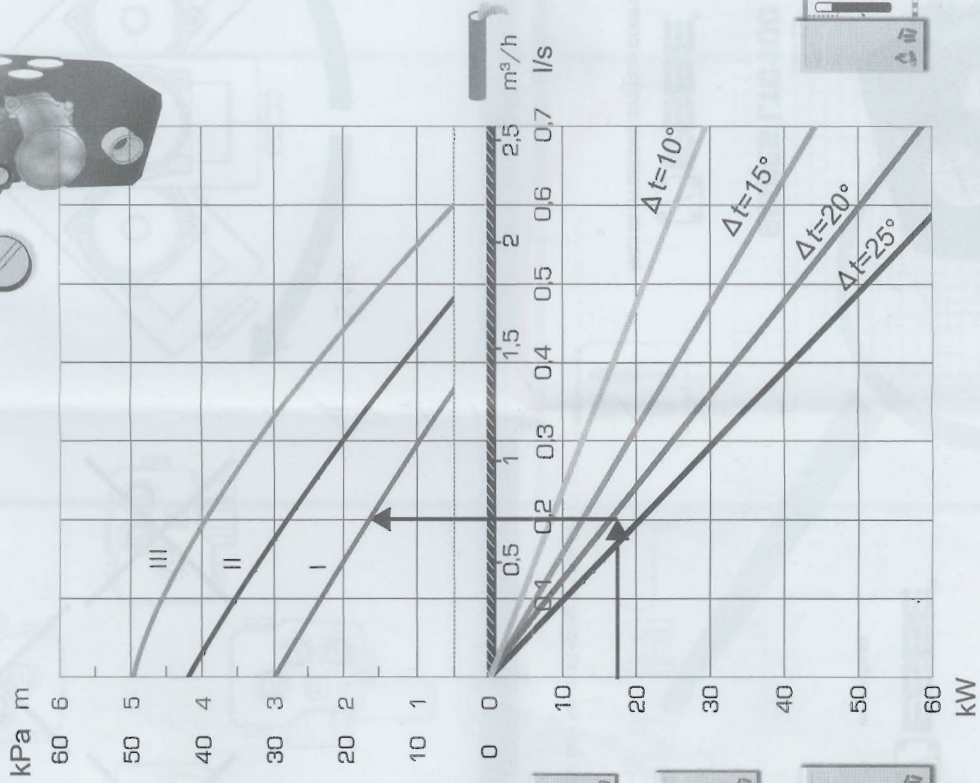
2



3



LTC140



1

kW

2



3

Δt

4



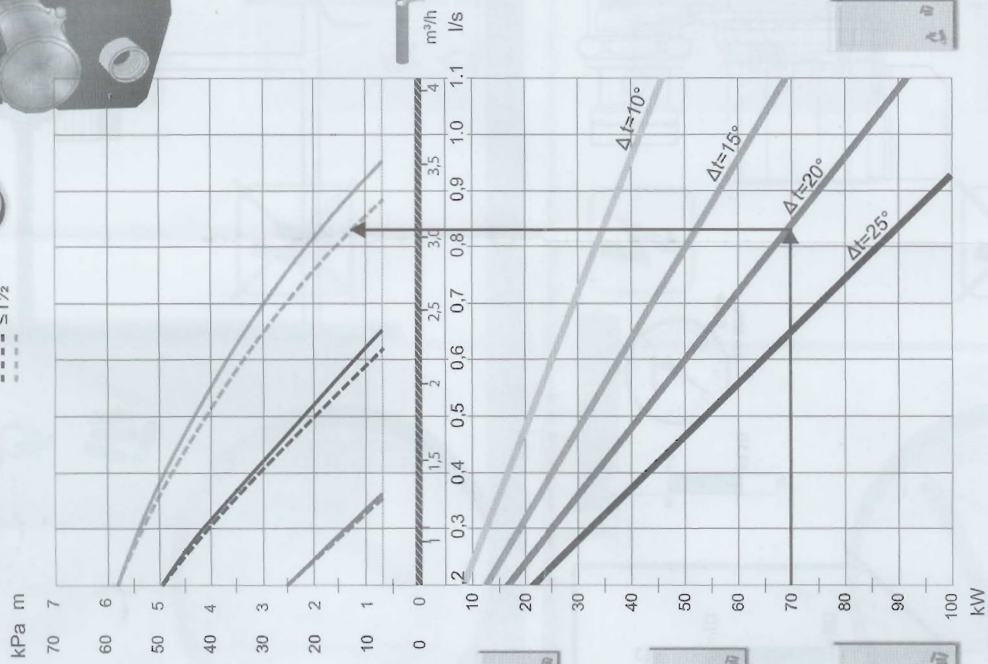
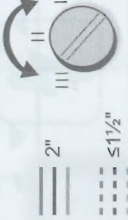
5



6



LTC170



1

kW

2



3

Δt

4



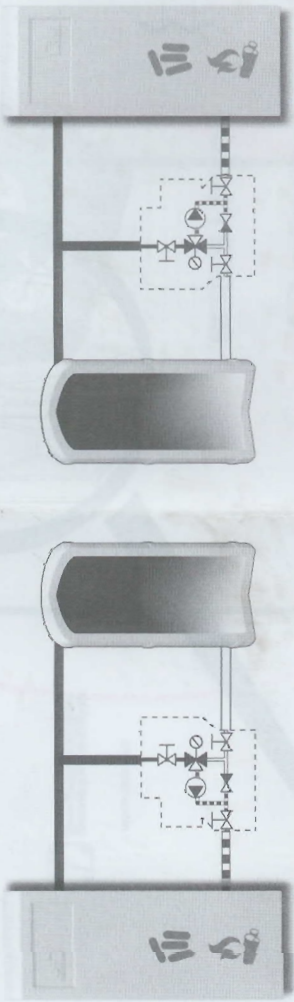
5



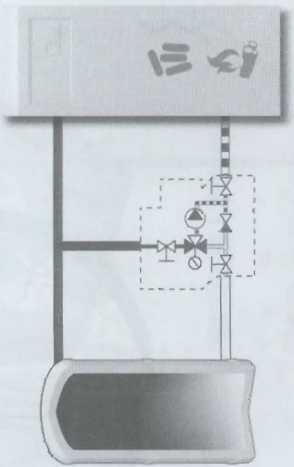
6



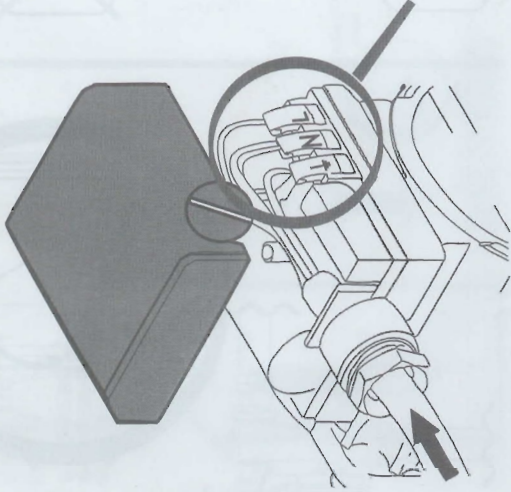
5a



5b

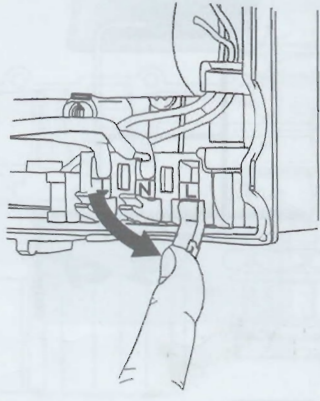


6a

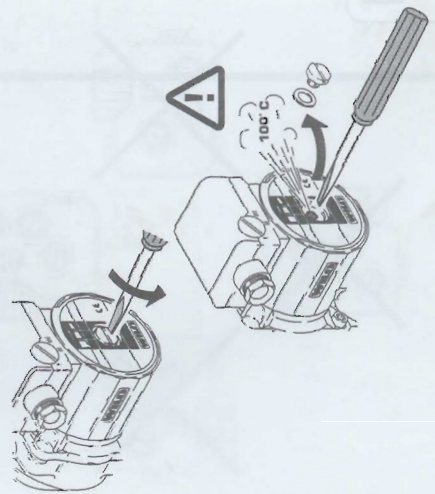


6b

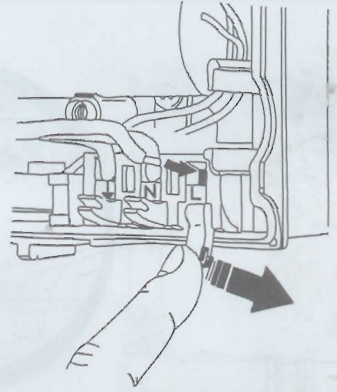
230 VAC, 50Hz



230 VAC, 50Hz



6c



6d

